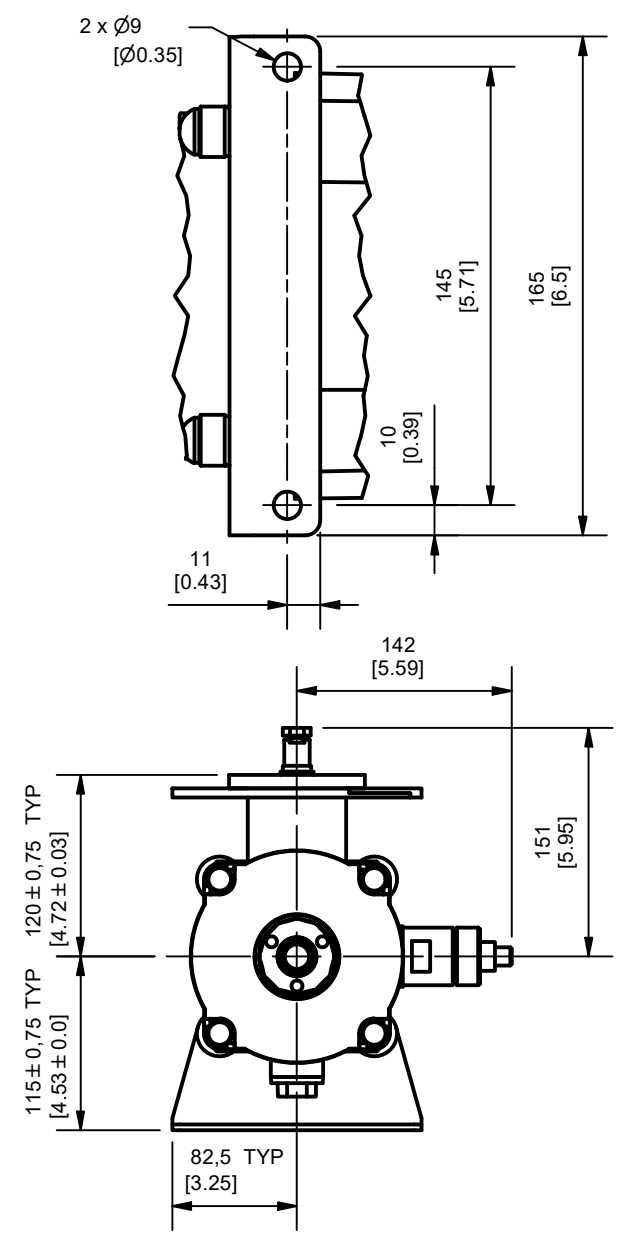


DETAIL A

TYP 2 PLACES

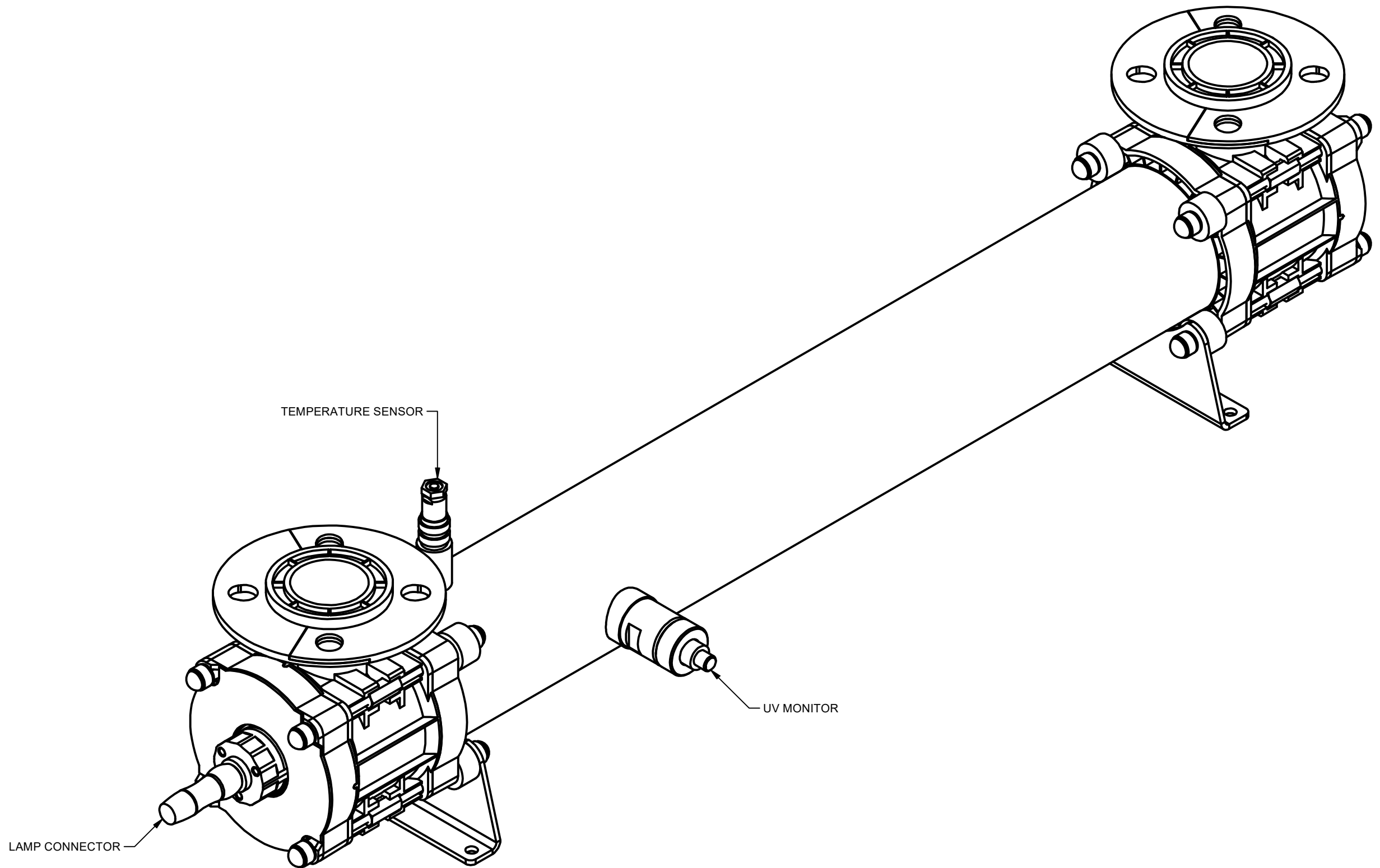


STD:297x420_A3_v4.42 BAR = 25mm AT PLOT SCALE


REV	DESCRIPTION	DATE	DWN	CKD	APPD	ECN
B	SENSOR POSITION REVISED	23/04/2024	T.D.C	G.FOSTER	M.PERRY	
A	FIRST ISSUE	06/02/2024	T.D.C	G.FOSTER	M.PERRY	

<small>COMPANY CONFIDENTIAL INFORMATION THIS DOCUMENT AND ALL INFORMATION CONTAINED HEREIN, INCLUDING THE DESIGN CONCEPTS AND THOSE ARISING THEREFROM ARE THE PROPERTY OF EVOQUA AND/OR ITS AFFILIATES AND ARE SUBMITTED IN CONFIDENCE. THEY MAY BE USED ONLY FOR THE EXPRESS PURPOSE FOR WHICH THEY ARE PROVIDED AND MUST NOT BE DISCLOSED, REPRODUCED OR COPIED IN ANY FORM, INCLUDING IN ELECTRONIC FORMAT, LOANED OR USED IN ANY OTHER MANNER WITHOUT THE EXPRESS WRITTEN CONSENT OF EVOQUA. ALL PATENT RIGHTS ARE RESERVED. THIS DOCUMENT AND DERIVATIVE WORKS THEREOF ARE PROTECTED UNDER APPLICABLE COPYRIGHT LAWS. UPON DEMAND OF EVOQUA, THIS DOCUMENT, ALONG WITH ALL COPIES AND EXTRACTS, AND ALL RELATED NOTES AND ANALYSES MUST BE RETURNED TO EVOQUA OR DESTROYED, AS INSTRUCTED BY EVOQUA. ACCEPTANCE OF THE DELIVERY OF THIS DOCUMENT CONSTITUTES AGREEMENT TO THESE TERMS.</small>		DWN BY: T.D.C DATE 06/02/2024	CKD BY: G.FOSTER DATE 06/02/2024	APPD BY: M.PERRY DATE 16/02/2024	MGD BY: SCALE NTS
PART NUMBER	PROJ/PROD NUMBER	CODE	FILE/DRAWING NUMBER	SHEET	REV
		M-GA01	V112059673	1 OF 2	B

TITLE	EQUIPMENT GENERAL ARRANGEMENT CGA_TI-1200-4-2_E10				
CLIENT	STANDARD PRODUCTS				
		EVOQUA WATER TECHNOLOGIES WARRINGTON CHESHIRE GBR +44 (0)3001240500			



STD:297x420_A3_v4.42 BAR = 25mm AT PLOT SCALE

<p>COMPANY CONFIDENTIAL INFORMATION THIS DOCUMENT AND ALL INFORMATION CONTAINED HEREIN, INCLUDING THE DESIGN CONCEPTS AND THOSE ARISING THEREFROM ARE THE PROPERTY OF EVOQUA AND/OR ITS AFFILIATES AND ARE SUBMITTED IN CONFIDENCE. THEY MAY BE USED ONLY FOR THE EXPRESS PURPOSE FOR WHICH THEY ARE PROVIDED AND MUST NOT BE DISCLOSED, REPRODUCED OR COPIED IN ANY FORM, INCLUDING IN ELECTRONIC FORMAT, LOANED OR USED IN ANY OTHER MANNER WITHOUT THE EXPRESS WRITTEN CONSENT OF EVOQUA. ALL PATENT RIGHTS ARE RESERVED. THIS DOCUMENT AND DERIVATIVE WORKS THEREOF ARE PROTECTED UNDER APPLICABLE COPYRIGHT LAWS. UPON DEMAND OF EVOQUA, THIS DOCUMENT, ALONG WITH ALL COPIES AND EXTRACTS, AND ALL RELATED NOTES AND ANALYSES MUST BE RETURNED TO EVOQUA OR DESTROYED, AS INSTRUCTED BY EVOQUA. ACCEPTANCE OF THE DELIVERY OF THIS DOCUMENT CONSTITUTES AGREEMENT TO THESE TERMS.</p>		DWN BY:	DATE	TITLE	EQUIPMENT GENERAL ARRANGEMENT CGA_TI-1200-4-2_E10			
		T.D.C	06/02/2024	CLIENT	STANDARD PRODUCTS			
		CKD BY:	DATE	 EVOQUA EVOQUA WATER TECHNOLOGIES WARRINGTON CHESHIRE GBR +44 (0)3001240500				
		G.FOSTER	06/02/2024					
APPD BY:	DATE	PART NUMBER	PROJ/PROD NUMBER	CODE	FILE/DRAWING NUMBER	SHEET	REV	
M.PERRY	16/02/2024			M-GA01	V112059673	2 OF 2	B	
MGD BY:	SCALE							
	NTS							